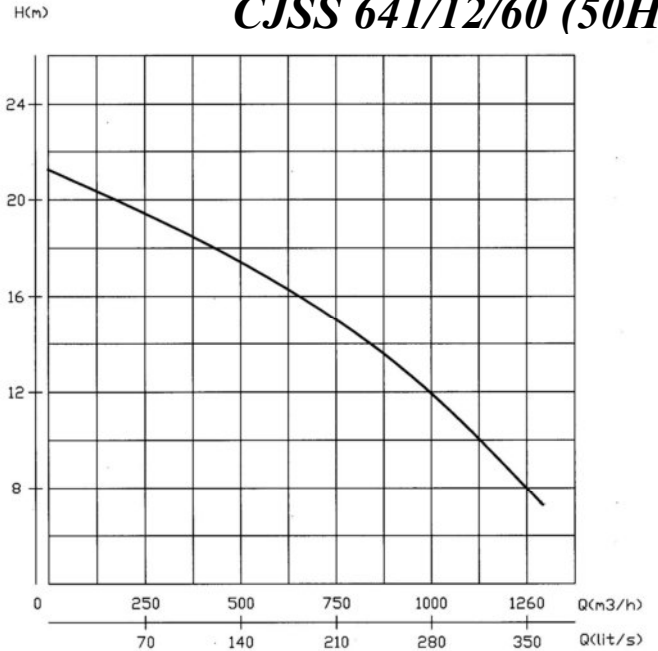
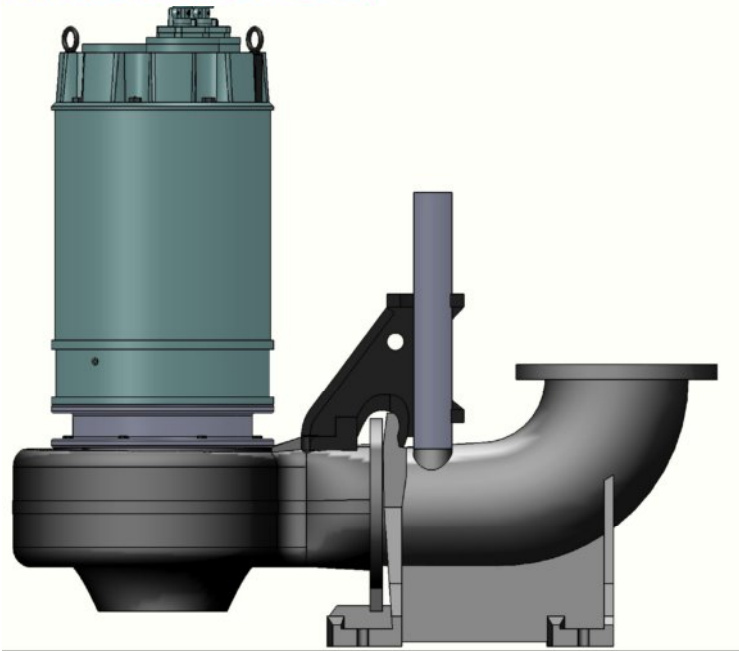


Cooling Jacket Sewage Submersible Electric Pumps

CJSS 641/12/60 (50HZ)



| Product | Cable | Rating | | | | | | |
|--|---|--|-----------|-----------------|--------------------|---------|-----|-----|
| Centerage sewage submersible electric pump is ideal for pumping trash, mud, industrial waste, sludge, raw sewage, emergency by-pass etc | Direct on line 2 (4*16) | 3~ Rated output Speed of rotation | | | | | | |
| | Monitoring equipment Thermal & humidity contacts | 60 kw 980 rpm | | | | | | |
| | Material Pump housing Cast iron GG25 Impeller Stainless steel 304 Stator housing Cast iron GG25 Shaft Stainless steel 420 O-ring Viton Rubber (up to 200°C) | <table border="1"> <thead> <tr> <th>Voltage V</th> <th>Rated current A</th> <th>Starting current A</th> </tr> </thead> <tbody> <tr> <td>380/660</td> <td>120</td> <td>240</td> </tr> </tbody> </table> | Voltage V | Rated current A | Starting current A | 380/660 | 120 | 240 |
| Voltage V | Rated current A | Starting current A | | | | | | |
| 380/660 | 120 | 240 | | | | | | |
| Denomination | | | | | | | | |
| Product code SS 641/12/60 Installation P* Discharge connection 12" | | | | | | | | |
| Process data | Mechanical face seals Upper Silicon carbide/carbon Lower Tungsten carbide /silicon carbide | | | | | | | |
| Liquid temperature Max +40°C Depth of immersion Max 20m The PH of the liquid PH5-8 Liquid density Depending on impeller size | Cooling System The heat generated by the motor is transferred via the discharge cover to the fluid handled by internal circulation. The coolant serves as anti-corrosive and anti-freeze agent and as a lubricant for the mechanical seal. | | | | | | | |
| Motor data Squirrel cage 3-phase induction motor Frequency 50HZ Insulation class H (+180°C) Ingress of protection IP68 Voltage variation -continuously running Max ±5% -intermittent running Max ±10% Voltage imbalance between phases max 2% No. of start/hour max 10 | Accessories Hose connection and other mechanical accessories. Electrical accessories such as controller, control panels, starter, monitoring relays, cables. | *Remarks: P: Semi permanent wet well arrangement with pump installed on twin guide bars with automatic connection to discharge. | | | | | | |