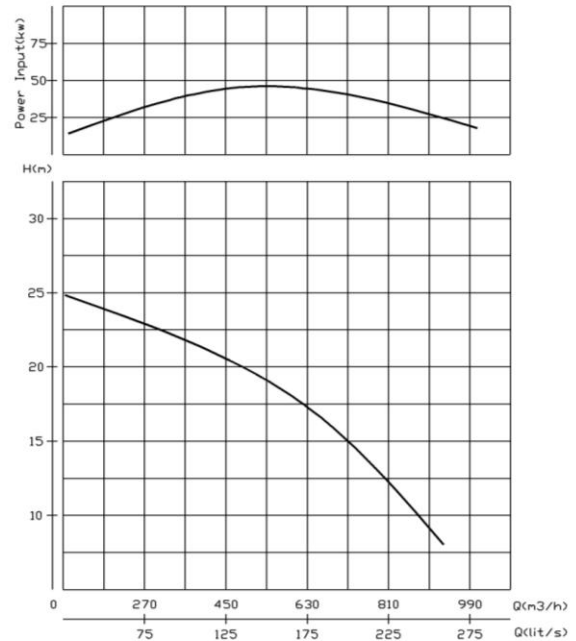
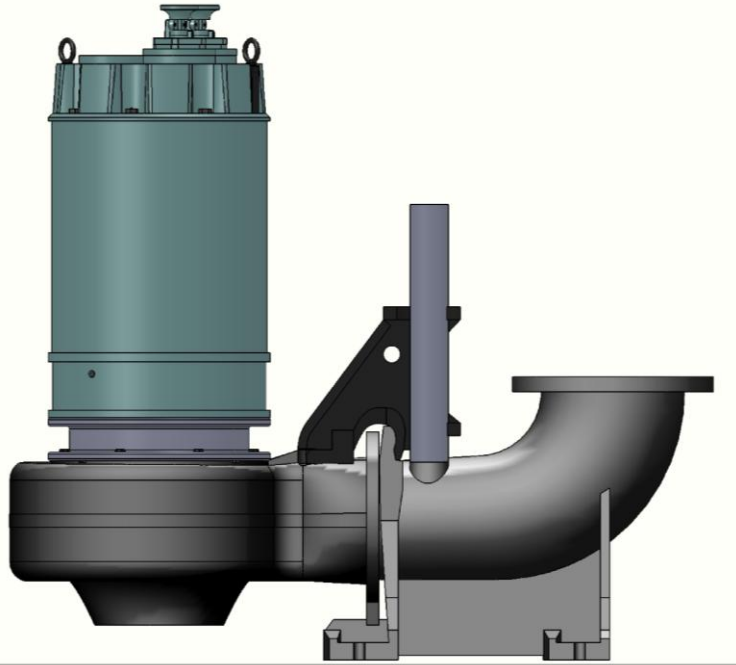


Cooling Jacket Sewage Submersible Electric Pumps

CJSS 640/8/55(50HZ)



Product	Cable	Rating						
<p>Centerage sewage submersible electric pump is ideal for pumping trash, mud, industrial waste, sludge, raw sewage, emergency by-pass etc</p>	Direct on line 2 (4*16)	<p>3~ 55 kw</p> <p>Rated output 1450 rpm</p> <p>Speed of rotation</p>						
	Monitoring equipment							
	Thermal & humidity contacts							
Denomination	Material	<table border="1"> <thead> <tr> <th>Voltage V</th> <th>Rated current A</th> <th>Starting current A</th> </tr> </thead> <tbody> <tr> <td>380/660</td> <td>110</td> <td>220</td> </tr> </tbody> </table>	Voltage V	Rated current A	Starting current A	380/660	110	220
Voltage V	Rated current A		Starting current A					
380/660	110	220						
<p>Product code CJSS 640/8/55</p> <p>Installation P*</p> <p>Discharge connection 8"~10"</p>	<p>Pump housing Cast iron GG25</p> <p>Impeller Stainless steel 304</p> <p>Stator housing Cast iron GG25</p> <p>Shaft Stainless steel 420</p> <p>O-ring Viton Rubber (up to 200°C)</p>							
Process data	Mechanical face seals							
<p>Liquid temperature Max +40°C</p> <p>Depth of immersion Max 20m</p> <p>The PH of the liquid PH5-8</p> <p>Liquid density Depending on impeller size</p>	<p>Upper Silicon carbide/carbon</p> <p>Lower Tungsten carbide /silicon carbide</p>							
Motor data	Cooling System							
<p>Squirrel cage 3-phase induction motor</p> <p>Frequency 50HZ</p> <p>Insulation class H (+180°C)</p> <p>Ingress of protection IP68</p> <p>Voltage variation</p> <p>-continuously running Max ±5%</p> <p>-intermittent running Max ±10%</p> <p>Voltage imbalance between phases max 2%</p> <p>No. of start/hour max 10</p>	<p>The heat generated by the motor is transferred via the discharge cover to the fluid handled by internal circulation.</p> <p>The coolant serves as anti-corrosive and anti-freeze agent and as a lubricant for the mechanical seal.</p>							
	Accessories	<p>*Remarks: P: Semi permanent wet well arrangement with pump installed on twin guide bars with automatic connection to discharge.</p>						
	Hose connection and other mechanical accessories. Electrical accessories such as controller, control panels, starter, monitoring relays, cables.							